

APPENDIX II – SCRUTINEERING

(Specification changes are highlighted in yellow)

101. ICF Canoe Polo Kayak Manufacturers Scheme

1.1. - **After January 1st 2015** - All new composite canoe polo kayaks manufactured by registered ICF Canoe Polo Kayak manufacturers must have an ICF Canoe Polo Manufacturers Label permanently fixed into the inside surface of the kayak in plain view in front of the seat that cannot be removed or tampered with in any way. These labels can only be purchased by manufacturers registered with the ICF Canoe Polo Manufacturers Scheme.

1.2. - **After January 1st 2015** - All canoe polo kayaks constructed by registered ICF Canoe Polo Kayak manufacturers must conform to **all** of these ICF Canoe Polo Kayaks Specifications. Any breaches of these specifications will result in the immediate suspension of that manufacturers license for a period of two (2) years. During this time, **NO** kayaks built by that manufacturer will be permitted in ICF Canoe Polo sanctioned events such as World Championships or World Games.

1.3. - **After January 1st 2015** - All canoe polo kayaks that are used in ICF sanctioned events including World Championships and World Games, that do not have a visible ICF Canoe Polo Kayak Manufacturers Label will be individually tested with the appropriate gauges to ensure they comply with these new specifications. Any kayaks that fail these tests will not pass scrutineering and will not be used in ICF Canoe Polo events.

1.4. - **After January 1st 2016** - All Canoe Polo Kayaks used in ICF sanctioned events including World Championships and World Games, must be constructed by manufacturers registered with the ICF Canoe Polo Kayak Manufacturers Scheme. There will be a list of Registered manufacturers in the Canoe Polo section of the ICF Website.

1.5. - **After January 1st 2021** - Only kayaks with an ICF Canoe Polo Kayaks Manufacturers Label will be able to be used at ICF World Championships or World Games. (This does not prevent the use of older kayaks without a label at a lower level within domestic competitions see note below.)

1.6. - National Federations may have their own local rules regarding the use of older designs or kayaks including those without an ICF Canoe Polo Manufacturers label. Please consult your National Federation for details.

Note: The ICF Canoe Polo Committee recognizes the lifespan of a canoe polo kayak can be many years- even at the highest level. These rules effectively mean that any existing kayak built prior to January 1st 2015 that does not have an ICF Canoe Polo Manufacturers Label, will not be able to be used in the 2022 Canoe Polo World Championships.

2.0 Kayak-Safety requirements

2.1. - All profiles and curves must stay within these rules and will be scrutineered with official ICF Canoe Polo gauges.

2.2. - For all composite and plastic kayaks, all metal bolts, screws or other fixing devices should have low profile parts on the surface, be smooth to the touch and be recessed wherever possible.

2.3. - Carry handles of any type are not permitted.

2.4. - Concave sections are allowable throughout the kayak so long as they do not present themselves as a dangerous feature and comply with the minimum radius.

2.5. - The kayak must have soft, shock absorbing material (padding) firmly affixed to the front and rear impact zones sufficient to prevent injury to players and to reduce damage to equipment. This padding must comply with the detailed specifications described in section 103.

2.6. - The kayak must have sufficient buoyancy to keep it afloat, so that some part breaks the surface of the water, even when it is completely full of water.

2.7. - The weight, including padding, may not be less than 7kg.

3.0. Kayak Dimensions, Measurements and Gauges

3.1. - All measurements will be carried out on a completed kayak with padding in place.

3.2. - Length: A kayak with integrated padding attached Maximum 3000mm.

3.3. - Length: A kayak with non-integrated padding attached Maximum 3100mm. (A kayak with non-integrated padding measured with no padding attached Maximum 3000mm).

3.4. - Width: Maximum 650mm.

4.0 Kayak – Edge

4.1. - The edge is the line around the kayak (not necessarily the join or gunwale line) where the side or end meets the vertical tangent. References to the top, upper, lower or bottom of a kayak are relative to this edge.

4.2. - The edge of the kayak must be of sufficient radius so as not to cause injury to a player on impact.

4.3. - In profile the minimum radius of curvature for the edge in each section is detailed in the following sections.

5.0. Kayak – Shape in Plan

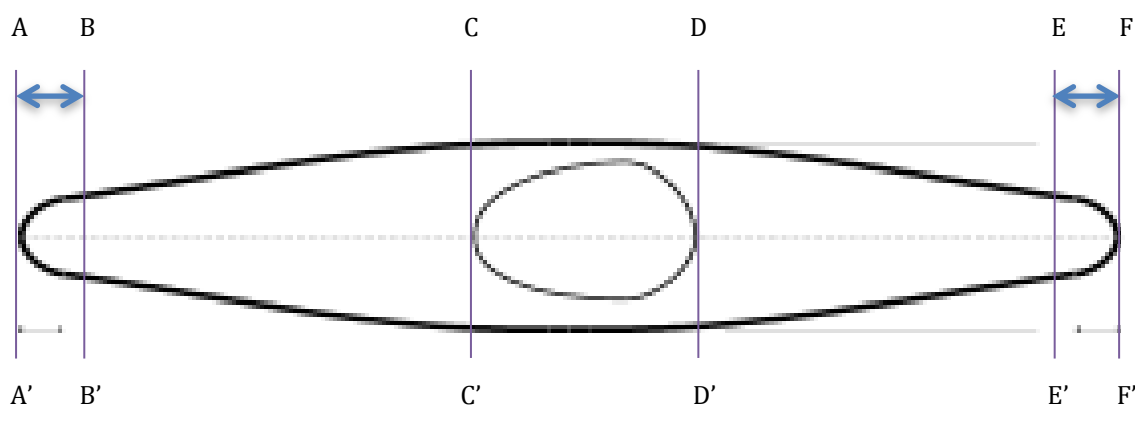
5.1. - In plan the minimum radius of convex curvature for the edge is 100mm throughout the edge of the kayak. **Gauge 1, detail G**

5.2. - In both, the front and rear impact zones, a minimum width of 200mm must be reached within the first 100 mm of the kayak.

5.3.1 - For kayaks with integrated padding the first 100mm is measured with padding in place. **Gauge 1, detail H**

5.3.2 - For kayaks with non-integrated padding the first 100mm is measured from the back edge of the padding where it attaches to the kayak. **Gauge 1, detail I**

KAYAK PLAN VIEW OF SECTIONS/ZONES



Section AA' to BB' - Front Impact Zone - measured to the point 100mm down the length of the kayak 100 mm minimum radius at any point on B-A-B'

Section BB' to CC' - Front Section -

Section CC' to DD' - Cockpit Section -

Section DD' to EE' - Rear Section -

Section EE' to FF' - Rear Impact Zone – measured to the point 100mm up the length of the kayak 100mm minimum radius at any point on E-F-E'

5.0. Kayak - Top and Bottom surface

5.1. - The top and bottom surfaces (excluding those parts of the cockpit covered by a spray deck) must be smooth so as not to cause injury to a player.

5.2. - Section AA' to BB' - Front Impact zone: The kayak (with non-integrated padding) will meet a minimum thickness of 55mm with 30mm of the edge of the kayak. If the kayak has non-integrated padding attached, the 30mm will be measured from the rear of the padding where it attaches to the kayak. The minimum

radius of convex curvature allowed above the edge of the front impact zone is 20mm.
Gauge 2, detail K and L

If a kayak has integrated padding - the padding must comply with separate minimum specifications for the Front Impact Zone AA'-BB' see section 103.3 Integrated Padding

5.3. - Section BB' to FF' - For the entire edge the kayak will meet a minimum thickness of 50mm with 30mm of the edge of the kayak. Gauge 3, detail M

5.4. - Section AA' to FF' - For the entire bottom surface of the kayak below the edge, and across the edge itself the minimum radius of convex curvature allowed is 20mm. Gauge 2, 3 or 5, detail L

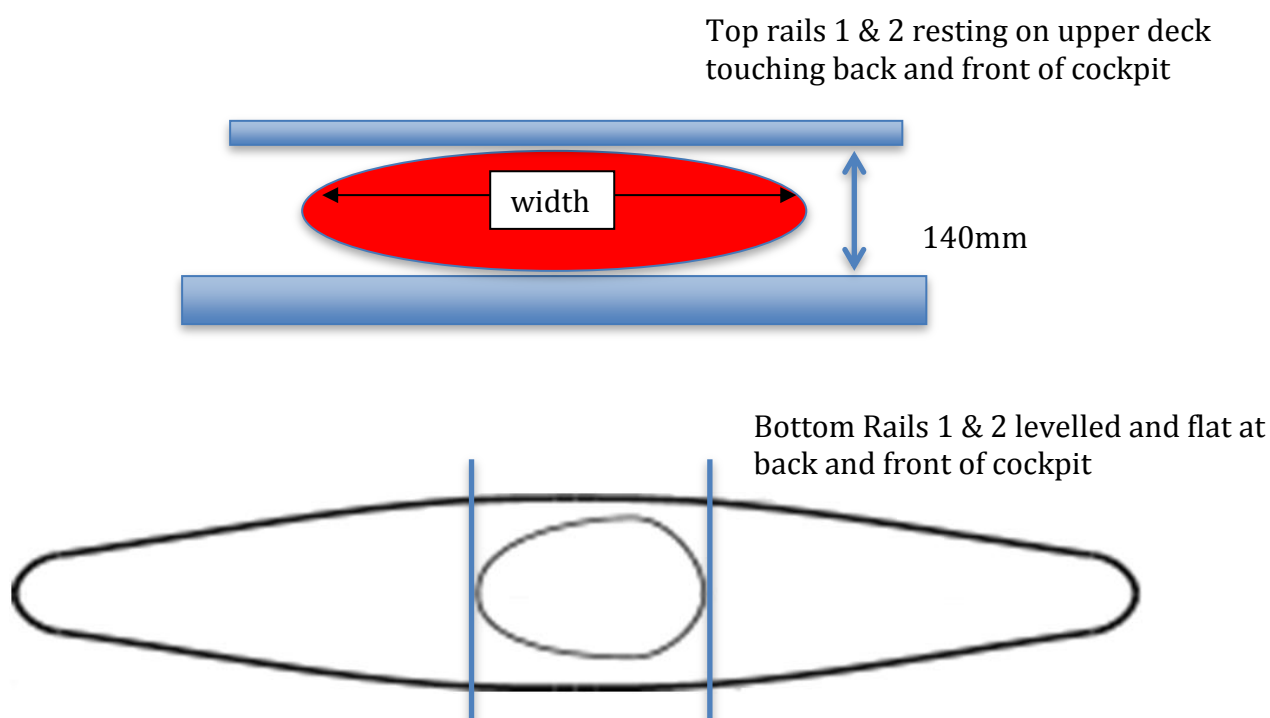
5.5. - Section BB' to FF' - For the entire top surface of the kayak in profile above the edge once the minimum thickness has been reached, the minimum radius of convex curvature allowed is 5mm. Gauge 7, detail T

5.6. - Recesses in the hull or deck for the purpose of hiding bolt or screw heads etc. are to be permitted. Recesses should be safer than a projecting fixing device in order to be legal. Where recesses are provided to improve safety by eliminating projecting fixing devices, the 5mm radius shall be relaxed as far as it would cover the radius of any transition curve between the deck and the side surfaces of any such recess.

6. Kayak – Depth

6.1. - The depth at the cockpit must be sufficient to provide some protection from impact for the player.

6.2. - Throughout the length of the cockpit section of the kayak (from CC' to DD'), on each side of the cockpit, the kayak must be a minimum of 140 mm deep, as seen in profile, not including the cockpit edge (rim).



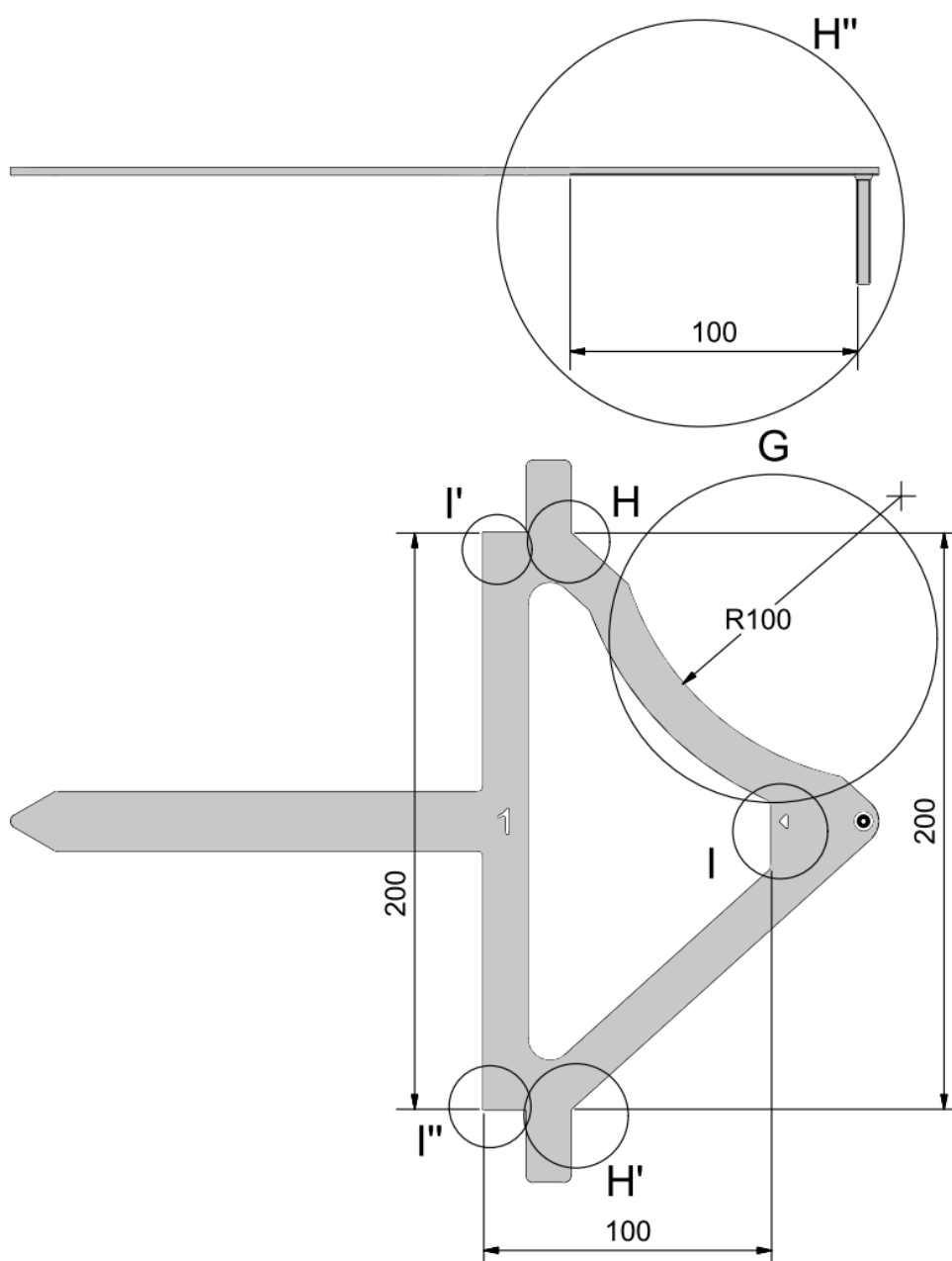
102. KAYAK GAUGES

102.1. - Only official ICF Canoe Polo gauges are to be used to test compliance with these specifications. The gauges will be fabricated from sheet aluminium or stainless steel and precisely engineered, according ISO 2769-mH, by an approved ICF supplier and will be stamped with the ICF Logo, registration number and date of manufacture.

The gauges to use for the measuring of the different sections are:

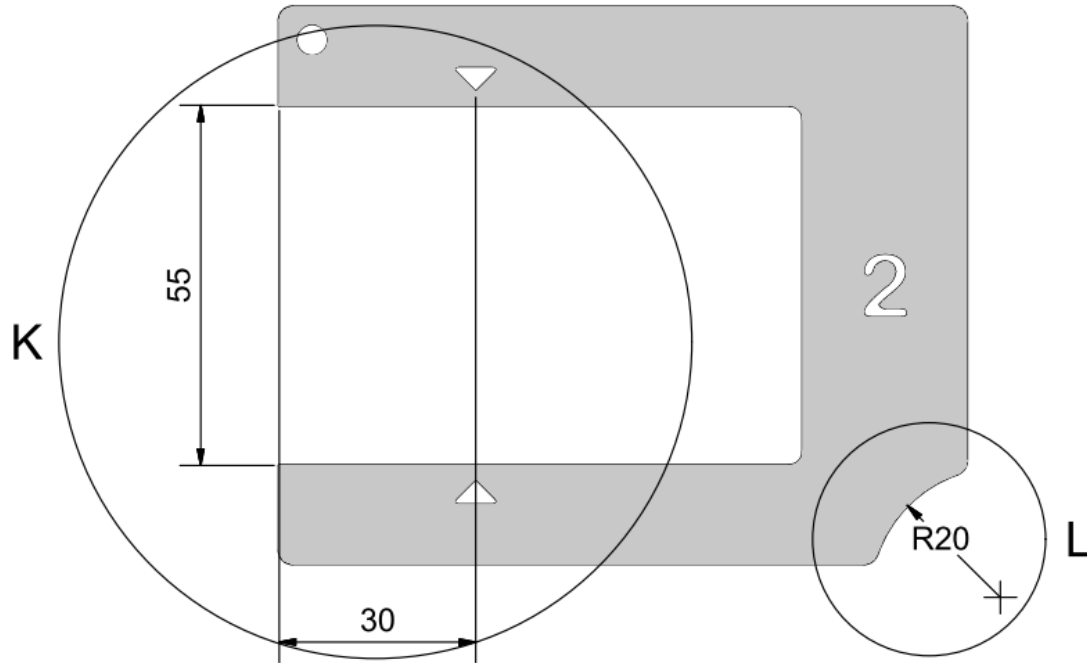
102.2. -Gauge 1, Impact Zone AA' to BB'' and EE' to FF'

Impact zone gauge, 100 mm radius, must be used to measure in plan sections AA' to BB' (front) and EE' to FF' (back). The kayak with padding in place must meet a minimum width in plan of 200mm within 100mm of the end of the kayak.



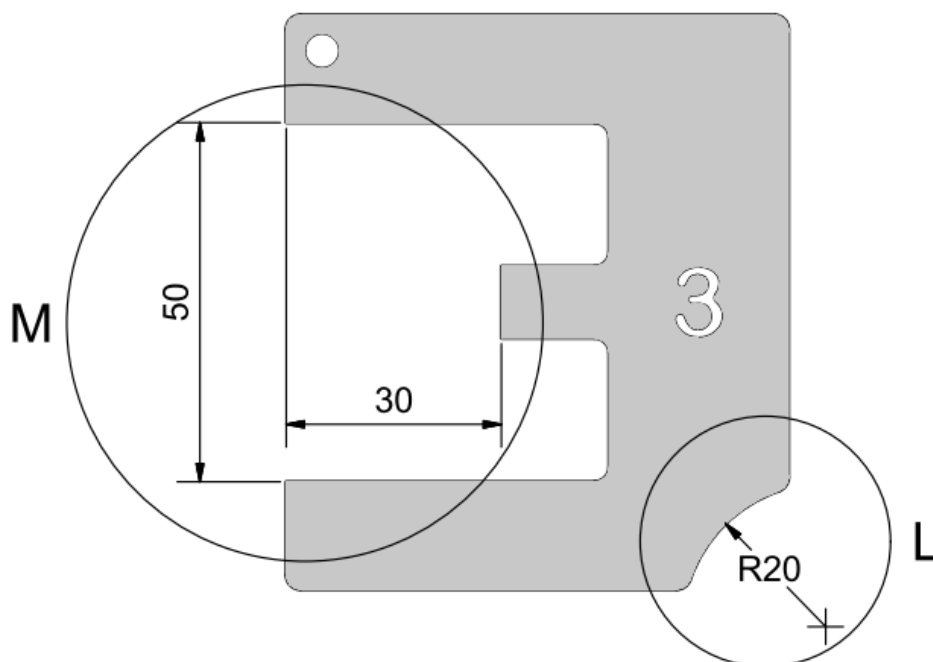
102.3. - Gauge 2, Front Impact Thickness Zone AA' to BB' (not used on integrated padding)

Impact Zone thickness - 55mm thickness at 30mm depth, must be used leveled to measure the edge thickness of the kayak.



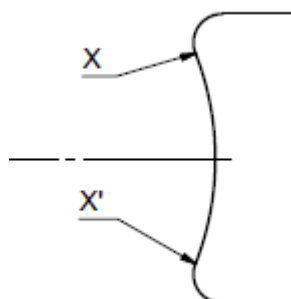
102.4. - Gauge 3, Edge Thickness Zone BB' to CC' and DD' to FF' (includes rear integrated padding)

Edge Thickness gauge, 50mm thickness at 30mm depth, must be used leveled to measure the edge thickness of the kayak.



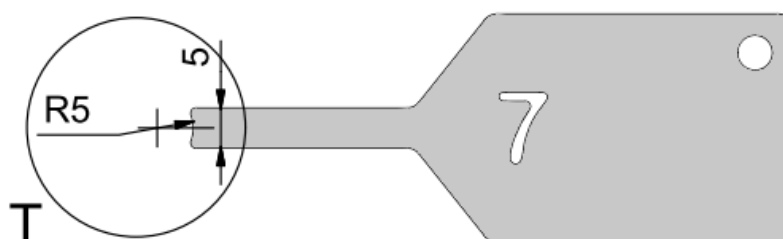
102.5. - Radius for whole bottom surface and across the edge AA' to FF'

Gauge 2, 3 or 5, detail L, 20mm radius, used to measure the whole surface of the kayak below the edge, and the edge itself. To gauge the radius of curvature, the radius portion of the appropriate gauge, must be applied perpendicular to the surface being tested. If both points X and X' (see below) touch the surface at the same time without the rest of the kayak the test is passed.



102.6.- Radius for whole upper surface zone BB' to FF'

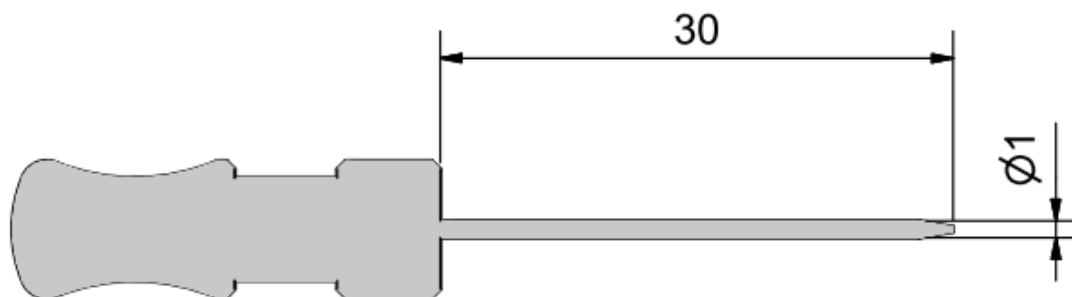
Gauge 7, detail T, 5mm radius, used to measure the whole surface of the kayak above the edge once a thickness of 50mm (Gauge 3, detail M) has been reached except the cockpit area CC' to DD'.



103. PADDING

103.1 – Padding Material

- The padding must be made from a soft, shock absorbing homogeneous material (e.g.: foam, soft rubber). If it relies on a composite construction for its minimum thickness and shock absorbing property, then the essential shock absorbing property of the padding must not be lost under compression. The characteristics should be measured at the temperatures that will prevail during the competition.
 - The padding must be a minimum of 30mm thick (when uncompressed) – more is recommended to allow for shrinkage and compression over time.
- Gauge 4 – needle



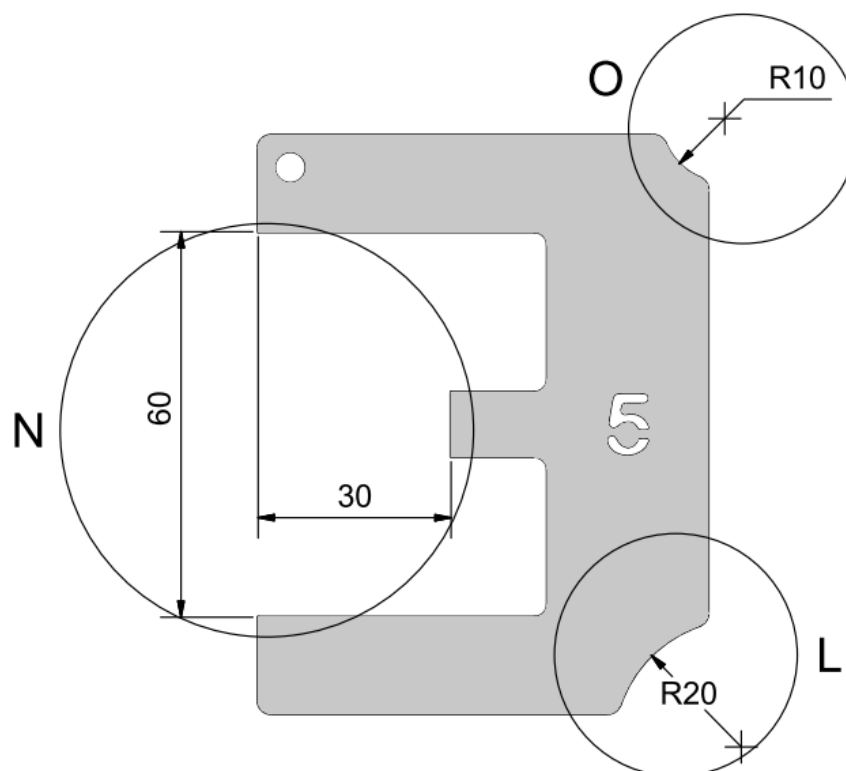
- c) The 30mm thickness must be reached on the horizontal centerline of the padding in profile. It may be reduced to not less than 20mm thickness at a width of 25mm either side of the edge in profile.
- d) The padding must be compressible (by a scrutineer's or player's thumb) by at least 10mm. The padding must not be compressible to less than 10mm thickness. The thickness and compression are measured **horizontal and vertical to the surface** of the **padding in plan**.
- e) The padding must be firmly attached to cover the edges of the front and rear impact zones at the horizontal centerline.
- f) The padding must extend at least 100mm from each end of the kayak measured in plan. Gauge 1, detail H or I

103.2 - Attachment

- a) The padding must be attached firmly to the end of the kayak to ensure there is no possibility of the padding either falling off or moving out of position during the course of a competition.
- b) The padding must be attached in a way that the edges and ends are not liable to catch on players or equipment.
- c) If rivets or bolts (or similar) are used to attach the padding, they must be recessed at least 20mm into the padding from the outer most part.

103.3 – Integrated Padding

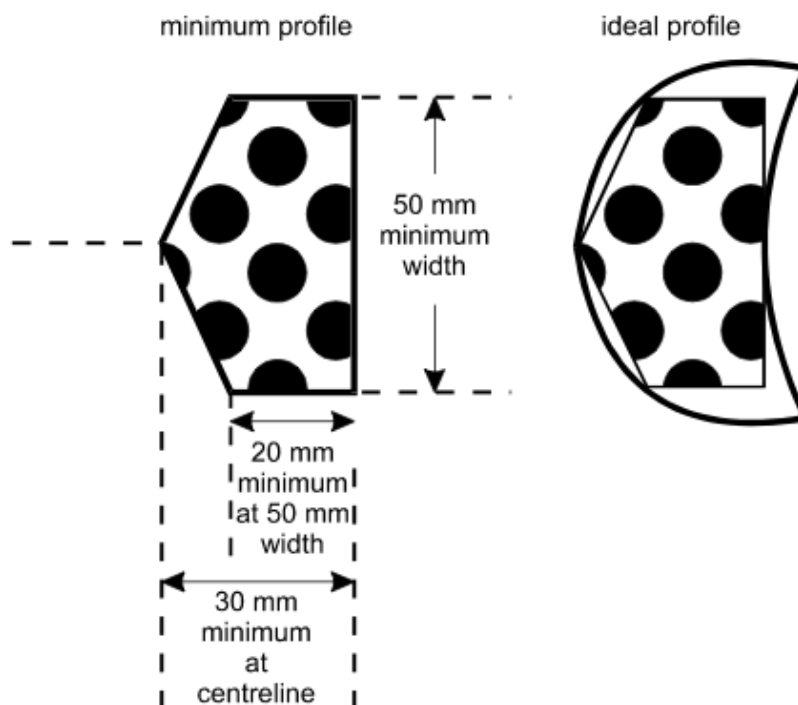
- a) For a kayak with integrated padding, the padding must comply with the following minimum specifications.
 - aa. For the Front impact zone the padding must be a minimum 60mm high in profile and extend at least 100mm from the ends measured in plan. **Gauge 5, detail N; Gauge 1, detail H**
 - bb. The Front Impact zone padding must be a minimum radius of at least 10mm over the whole surface of the padding. **Gauge 5, detail O**
 - cc. For the Rear impact zone the padding must be a minimum 50mm high in profile and extend at least 100mm from the ends measured in plan. **Gauge 3, detail M; Gauge 1, detail H**
 - dd. The rear impact zone padding must be a minimum radius of at least 5mm over the whole surface of the padding. **Gauge 7, detail T**

Gauge 5 Front Impact Zone (Integrated Padding only) AA' to BB'


- b) The shape of the kayak beneath the integrated padding is not important while the padding is in place as long as the whole kayak meets the specifications outlined in this appendix sections 101 and 102.
- c) In general the padding profile must follow the profile of the kayak ends and the integrated padding must be appropriate for that design of kayak.
- d) For a kayak with integrated padding there should be no (minimal < 5mm) gap between the start/edge of the padding and where it joins the kayaks. Any part of the kayak that meets the padding must have a minimum of 5mm radii. This 5mm gap can be measured with Gauge 7

103.4 - Non-Integrated Padding

- a) Kayaks with non-integrated padding must comply with the kayak specifications in this appendix 101 and 102 if the padding is removed.
- b) The padding must comply with the padding specifications described above in 103.1 and 103.2
- c) For kayaks with non-integrated padding - the padding must be positioned on the edge (see definition of edge in kayak specifications) to cover at least 15mm above and below the edge.
- d) The non-integrated padding must comply with the minimum dimensions below



104. PADDLE

104.1. - The paddle must be double bladed with no sharp projections, edges, holes or other dangerous features. The blades shape, thickness and radii must stay within these rules. The paddle will be scrutineered with a gauge.

104.2. - The blades are to be no more than 600mm x 250mm in plan measured from where the shaft meets the blade. The edges must have a minimum radius of 30mm in plan and a minimum thickness of 5mm. Metal tipped blades are not allowed.

104.3 - The exception to this is those blades where the metal edge is an integral part of the construction as opposed to a rim or trim added to the outside by any means. However if at any point the internal metal component is exposed then it will be considered un-fit for use in canoe polo.

105. PADDLE GAUGE

105.1. - Only official ICF Canoe Polo gauges are to be used to test compliance with these specifications. The gauges will be fabricated from sheet aluminium or stainless steel and precisely engineered, according to ISO 2769-mH, by an approved ICF supplier and will be stamped with the ICF Logo, registration number and date of manufacture.

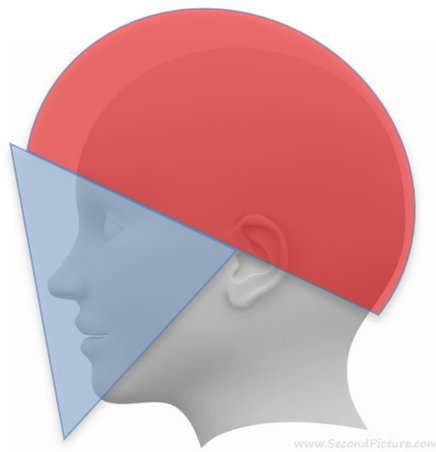
105.2. - To gauge the radius of curvature the radius portion of gauge 6, detail R, must be applied perpendicular to the surface being tested. If both points X and X' touch the surface at the same time without the rest of the paddle the radius test is passed.

105.3. - To gauge the thickness of the paddle-blade, hold the slot of gauge 6, detail Q,

over the blade. If the paddle does not enter the slot, the test is passed.

106. Helmet and Facemask

106.1 - The helmet must be suitable for canoeing and have a Facemask attached. The Helmet must protect the head against any blow, which may be reasonably anticipated in the course of a game. The area from the Temples to the base of the skull, such that no contact is possible between the skull and a blade of a horizontally held paddle.



Red area: Helmet

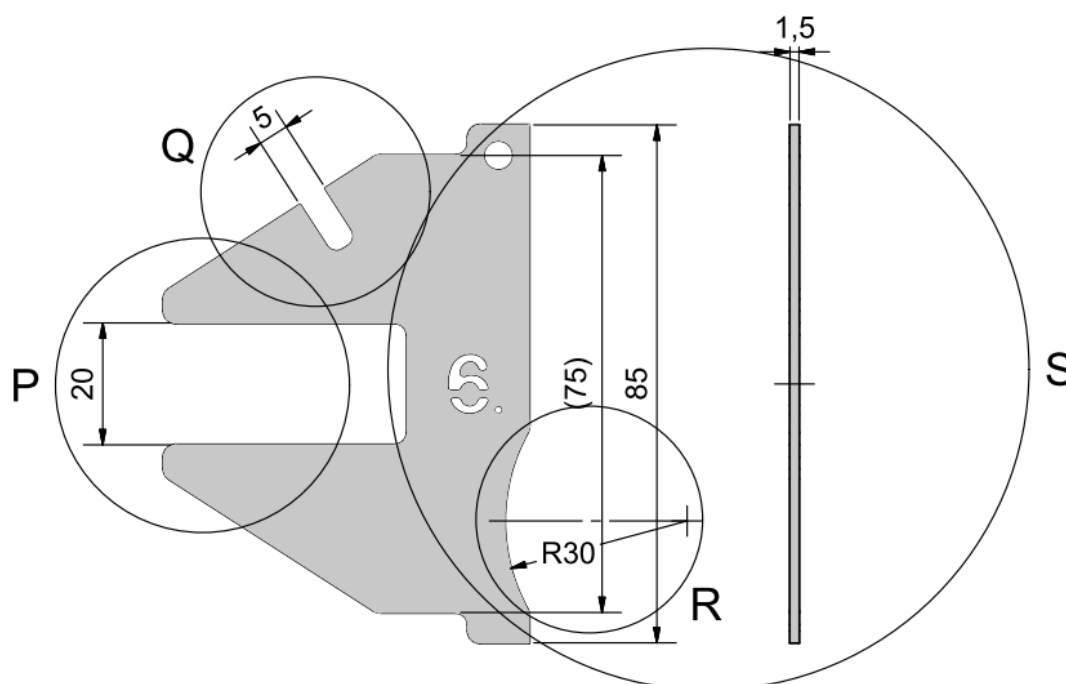
Blue area: Facemask

106.2. - The helmet and facemask must protect the entire face beginning at the lower level of the chin, and jawline and covering the surface between the two temples. There must be a minimum **distance of 10mm between** the facemask and the nose of the wearer.

106.3. - The facemask must be of a strong material such as steel or other equally strong material. The facemask must be securely fixed to the helmet, without any sharp edges or dangerous fixings.

106.4. - An object in the shape of a cube no smaller than 70x70x70mm must not be able to enter through the grill of the facemask. **The facemask must have no horizontal or vertical opening any larger than 85mm. This will be measured by gauge 6, detail S. The gauge 6, detail S, may not enter in an opening in the horizontal or vertical plane.**

Please note this measurement will decrease to 70mm January 1st 2018

Gauge 6 – paddle, facemask and body protection

107. BODY PROTECTION

107.1. - The body protection in the form of a Personal Floatation Device (PDF) that meets suitable accreditation standards for Canoeing. The body protection must be at least 20mm thick. To gauge the thickness of the body protection, hold the slot of gauge 6, detail P, over the body protection. If the body protection does not enter the slot, the test is passed.

107.2. - The body protection must protect against any impact from other players equipment, which may be reasonably anticipated in the course of a game.

107.3. - The body protection must begin no more than 100mm above the cockpit rim measured at the player's side, with the player sitting normally in their kayak. The gap between the top of the protection at the side and the top of the armpit measured with the arm horizontal must be less than 100mm. (These measurements may be checked at any stage during the game by either referee)

Scrutineering for major championships

For major events including World Championships and World Games, scrutineering of equipment will be a 3 - step process.

At the commencement of scrutineering, each team will present their equipment for checking.

Each player will initially be present wearing his or her Helmet (with facemask). These will be checked for compliance with section 106. Any safety issues must be rectified immediately before the team can progress further. All equipment will then be placed at Stage 1 and all players will then leave the scrutineering area.

Only one team representative may remain to oversee the scrutineering process for each team.

Each kayak will be clearly identified with the player's number and team name.

Each kayak will have a scrutineering checksheet attached to the seat. This sheet will remain with the kayak throughout scrutineering. Each team will also have a team sheet for all paddles, helmets, and body protection. (See Sample Sheet)

Any issues identified on any piece of equipment will be clearly noted on its check sheet and initialled by the scrutineer. This issue must be rectified prior to the equipment moving onto the next stage.

Step 1 – Cosmetic Checks

This step will ensure all items of equipment are uniform in colour and decals for each team.

Kayak checks will ensure any vinyl covering is of a high quality, with limited wrinkles and creases and will last the duration of the event. If vinyl covering is used it must be uniform in colour and texture for the whole team.

Kayaks must be uniform in colour and logos above the edge (for World Games they must also be uniform below the edge). Clear finish must be uniform in terms of weave. Clear finish with Carbon weave is NOT considered to be the same as a solid black colour due to the different weaves and appearances.

Helmets must be of a uniform solid base colour- the practice of covering a helmet with strips or sections of vinyl or tape is no longer acceptable.

Helmet numbers must be the minimum size of 75mm high and be a clearly contrasting colour and font size to stand out from a distance. Helmet numbers must be cut from one piece of vinyl- strips of tape or vinyl to create numbers is no longer acceptable.

Apart from the numbers, all stickers and logos must be identical in size, colour and location. Previous events scrutineering stickers must be removed.

Body protection must be uniform in colour and appearance. Player numbers must be the minimum size on both sides. Front 100mm and back 200mm.

Any equipment failing the cosmetic test will result in the whole team failing. The whole team will lose their scrutineering time slot and will return for rechecking at a later time. Rechecking will take place after all other teams have had their initial checks. Practice times will not be rescheduled.

Each failed item will be subject to a 50€ fine. This fine must be paid before rechecking will occur before progressing to Step 2.

Step 2 - Safety Checks

This step will check all equipment for points of safety.

Kayaks will be tested for sharp edges, rough surfaces and padding attachment.

Kayak padding must be in new or near new condition and in one homogenous piece firmly attached to the kayak with no loose edges or ends as per the specifications. No tape, wrapping, extra foam or other substances may be used to increase the padding profile or to ensure correct attachment!

Any padding failing Step 2 must be replaced with a new padding of the appropriate type to suit the kayak design before it will pass. It is recommended that teams or individuals carry spare sets of padding for each design.

(Minor repairs can be completed during the event with tape or wrapping)

Paddles must have no sharp edges or loose tape. Edge thickness will be tested using the appropriate gauge. Edging materials such as Kevlar tape must be correctly attached with no loose edges.

Helmets must have a correctly fitting facemask that covers from the jawline to the temple that complies with the regulations (See specification in section 106).

Body protection in the form of a PFD must have the required thickness of **20mm** on the front, back and sides (See specification in section 107).

(Please note- this is a NEW specification to improve player safety. PFD's that previously passed scrutineering may not meet this increased specification.)

Step 3 - Technical Checks

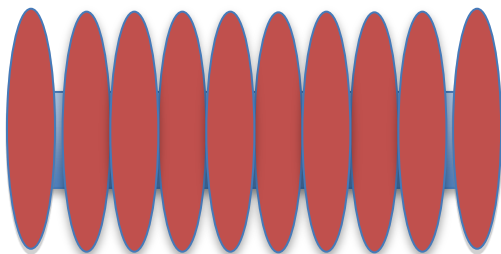
This step will check the technical aspects of all equipment in particular the kayaks.

Kayaks will be checked for the following:

- ICF Canoe Polo Kayak Manufacturing Label fixed inside kayak. Any kayak built after January 1st 2015 must have an ICF label permanently fixed on the inside surface in front of the seat. These kayaks will receive the following checks:
 - Random gauge checks of all main dimensions- Length, Width, Depth and Weight
 - Random gauge checks of all main radii and/or height/depth/width
- Any kayak built prior to January 1st 2015 that does not have an ICF Label will be subject to ALL of the standard gauges for length, width, depth, weight and radii. Note: After January 1st 2019, all kayaks must have an ICF Label to be used in ICF events including World Championships and World Games. (This does not prevent these kayaks being used in other competitions around the world.)

Any kayak failing any technical specifications will fail scrutineering and will not be able to be used in the event.

Stage 1 - Players are pre-checked wearing helmet for safety checks.
Volunteers take kayaks and equipment behind screens for cosmetic checks.



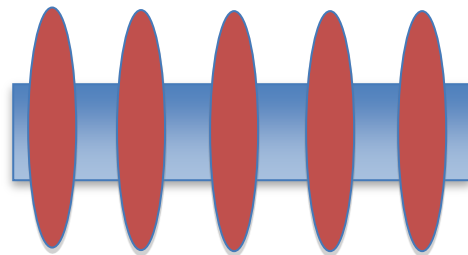
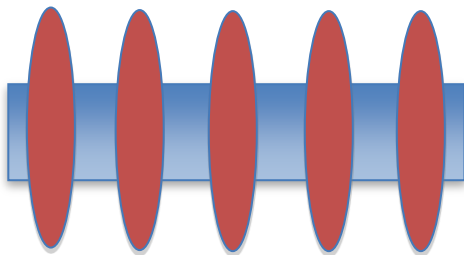
Paddles, Helmets, PFD's

Each kayak gets a scrutineering sheet attached to the seat to track progress

Stage 2 - Once cosmetic checks are passed all kayaks and equipment proceed to safety checks
(volunteers to help transfer items to new area)

Paddles

Helmets, PFD's



Stage 3 - Technical Checks. Kayaks checked for ICF Label, dimension and gauge tests

Dimension tests including
length, width, depth, radii

Dimension tests including
length, width, depth, radii

Once technical checks are complete, kayaks and equipment returned to team representative.
Kayaks failing technical specifications will not pass scrutineering and cannot be used.

Event Logo **Scrutineering Check sheet**



Team Name

Category

| Player Number | Player Name | Kayak | Paddle | Helmet / facemask | Body Protection | Total Cosmetic fines |
|---------------|------------------------------|-------|--------|-------------------|-----------------|----------------------|
| 1 | | | | | | |
| 2 | | | | | | |
| 3 | | | | | | |
| 4 | | | | | | |
| 5 | | | | | | |
| 6 | | | | | | |
| 7 | | | | | | |
| 8 | | | | | | |
| 9 | | | | | | |
| 10 | | | | | | |
| | Total Cosmetic fines payable | | | | Signature | |
| | Total Fines received | | | | Signature | |

Event Logo **Scrutineering Check sheet**



| | | | |
|--|--|--|----------------------------|
| Player Name: | Team Name: | Category: | |
| | | | |
| Kayak: ICF Label YES / NO ICF Registration Number: | Cosmetic | Safety | Technical |
| Helmet and Facemask: | | | |
| Body Protection: | | | |
| Spray deck: | | | |
| Paddles: | | | |
| Codes: Mark on Kayak above where issues occur with relevant code. For each item give detail of issue and location. Where a fine applies write Euro Symbol and highlight. | Team Colour= TC Decals / Logos= DL Quality of finish= QC Fine Applies=50€ | Front Padding= FP Rear Padding= RP Sharp Edges= SE | Dimensions= D Gauges= G |